

OUR COMMITMENT
TO CUSTOMER SATISFACTION,
QUALITY, AND SERVICE

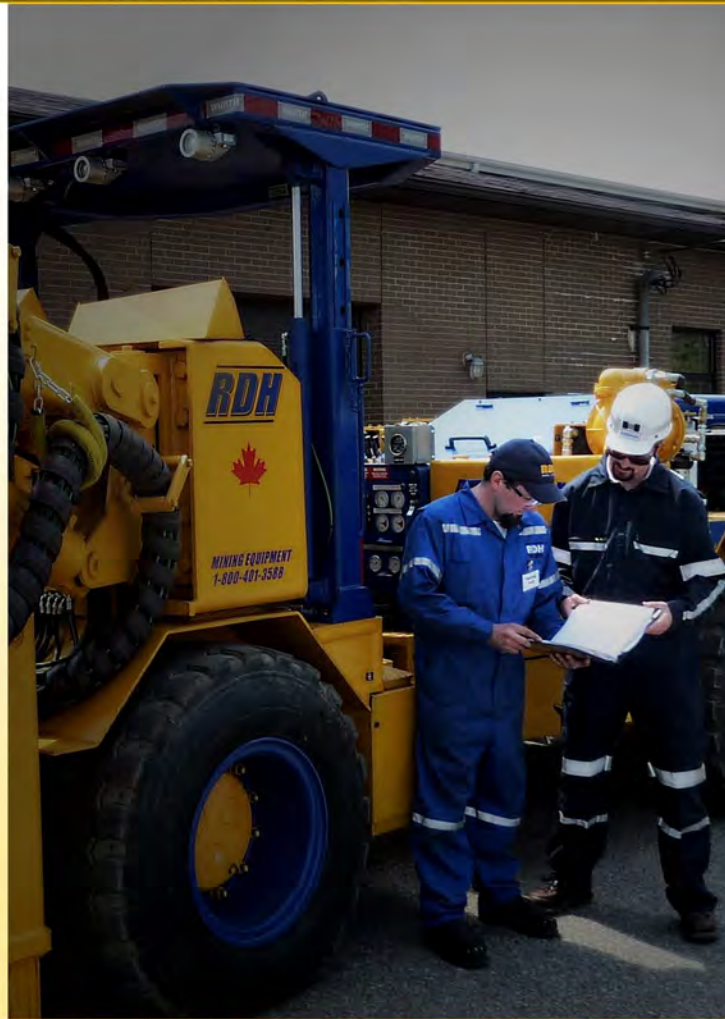
At RDH Mining Equipment we are committed to finding innovative and cost-effective ways of increasing equipment productivity while decreasing equipment costs for our customers.

We incorporate the latest technology to ensure the highest standards are met during every step of the manufacturing process.

We stand behind each of our products and continually enhance our product line with exciting innovations that make our equipment invaluable at customer sites around the world.

Our skilled technical staff ensure our drill rigs are engineered to provide the greatest drilling performance to meet the demands of your tight production schedules.

RDH Mining Equipment aims to enhance customer satisfaction through the continual improvement of our processes and is a ISO 9001 registered organization, consistently providing products that meets our customer and applicable statutory and regulatory requirements.



MUCKMASTER 350-400

High production, 3.5 to 4 cubic yard capacity LHD



simplifying heavy equipment



904 Hwy 64 Alban, Ontario
Canada P0M 1A0

1.800.401.3588 toll
705.857.2154 ph
705.857.3265 fax

sales@rdhminingequipment.com
www.rdhminingequipment.com

Bucket capacities between 2.7 m³ to 3.1 m³

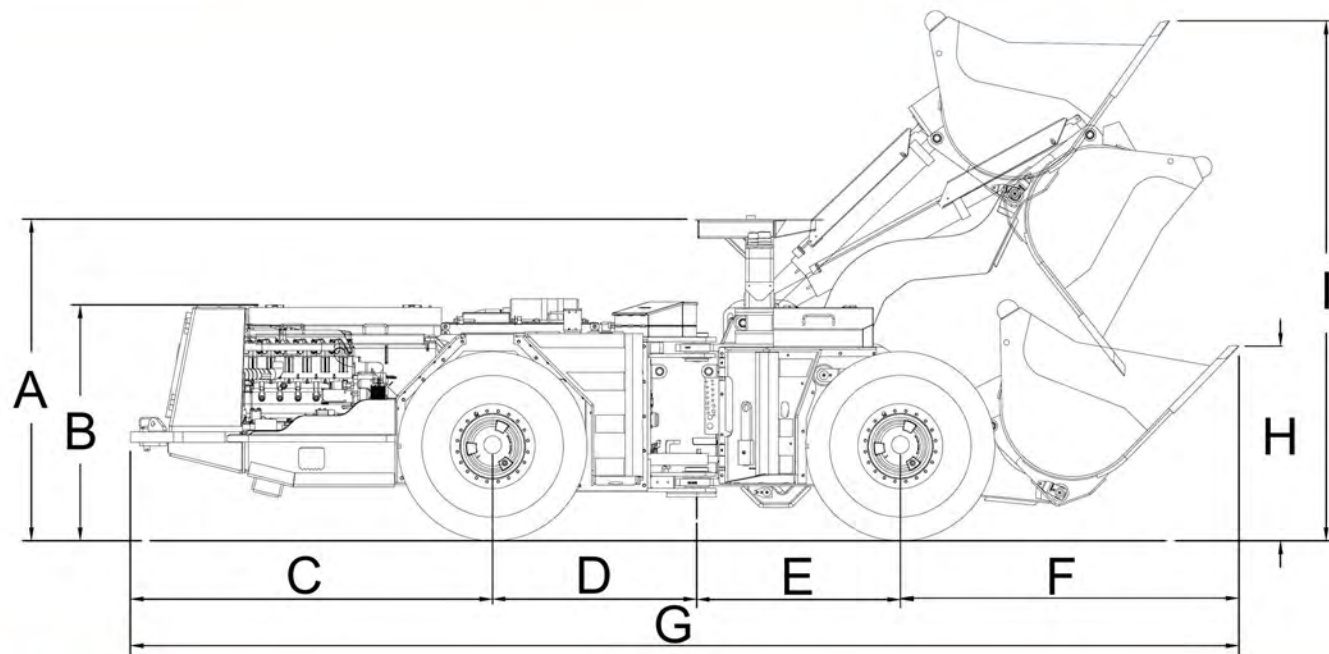
Powerful 170 kW (228 hp) engine

Tramming height 2.3 m

Easy access service points



simplifying heavy equipment



Dimensions

BUCKET CAPACITY (HEAPED SAE 2:1)	350		400	
	2.7 m ³	3.5 yds ³	3.1 m ³	4 yds ³
	mm	in	mm	in
A Height at canopy	2310	91	2310	91
B Height at engine end	1694	67	1694	67
C Rear bumper to centerline of rear axle	2604	103	2604	103
D Centerline of rear axle to centerline of midship	1467	58	1467	58
E Centerline of midship to centerline of front axle	1463	58	1463	58
F Centerline of front axle to tip of bucket	2460	97	2520	99
G Overall length	7994	315	8055	317
H Height to top of bucket lip—tramming	1556	61	1567	62
I Height to top of bucket lip—boom extended	3837	151	3923	154
J Overall width	1918	75	2032	80
K Outside clearance—turning radius	5530	218	5619	221
L Inside clearance—turning radius	3149	124	3149	124
M Articulation angle	40°		40°	
N Width—bucket	1918	75	2032	80
Tire size	14.00 x 24		14.00 x 24	
Approximate weight of standard equipped unit with canopy (empty bucket)	16738 kg / 36900 lbs		17645 kg / 38900 lbs	

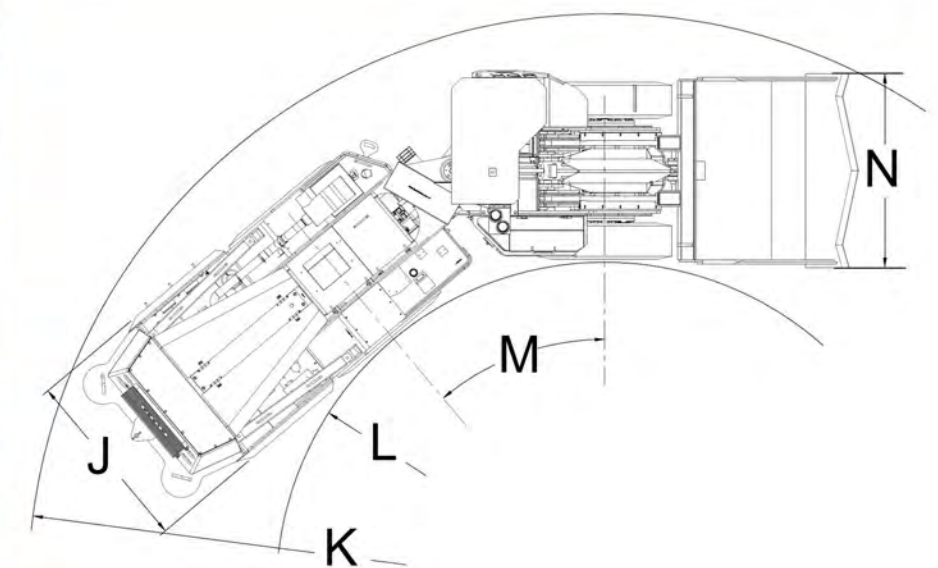
All weights, dimensions, and other data reflect a standard unit unless otherwise stated. RDH reserves the right to change this specification without notice.

HYDRAULIC SYSTEM

- Variable displacement load sensing, closed center system with a piston pump
- Hydraulic pilot operated joystick steering control.
- Oil level gauge on oil tank, oil filter indicator

OPTIONAL EQUIPMENT

- Various engine models
- Ejector bucket
- Automatic centralized lubrication system
- Ride control system
- Electric oil filling pump
- ROPS/FOPS approved protective canopy
- ROPS/FOPS approved enclosed cabin
- ANSUL Checkfire fire suppression system
- Fast fill system
- Remote control system
- Reverse camera system
- Fire extinguisher
- Cable reel
- Strobe light
- Quick attach forklift package
- Cold weather package
- Driver door interlock
- Other custom options upon request



Carrier

Powertrain

Engine: Mercedes OM906LA, six cylinder, turbocharged, air-cooled, diesel, Tier III, c/w fuel filter & water separator
 Power rating at 2200 rpm.....170 kW / 228 hp
 Torque at 1200-1600 rpm.....809 Nm / 597 lb-ft
 Exhaust.....catalytic purifier with silencer
 Air intakeDonaldson two-stage
 Four wheel drive
 Transmission.....Dana 32000 series, 4 speed forward / reverse
 Converter.....Dana C270
 Axles.....Dana 37R
 Service/emergency/parking brakes.....spring applied hydraulically released
 Remote brake release kit for towing

Electrical

Electrical system24 V
 Batteries2 x 12 VDC
 Tramming/working lights.....4 front, 2 rear, LED 27 W
 Horn and reverse alarm

Other Standard Equipment

Central grease point—manual
 Standard gauges and instrumentation
 Ansul fire suppression system — manual, 20 lbs, six nozzle
 Copy Parts/Operators/Service Manuals

All weights, dimensions, and other data reflect a standard unit unless otherwise stated. RDH reserves the right to change this specification without notice.